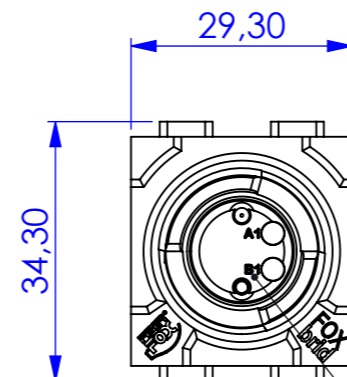
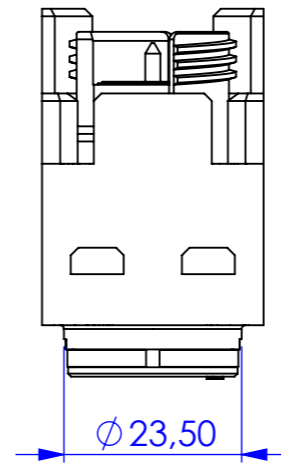
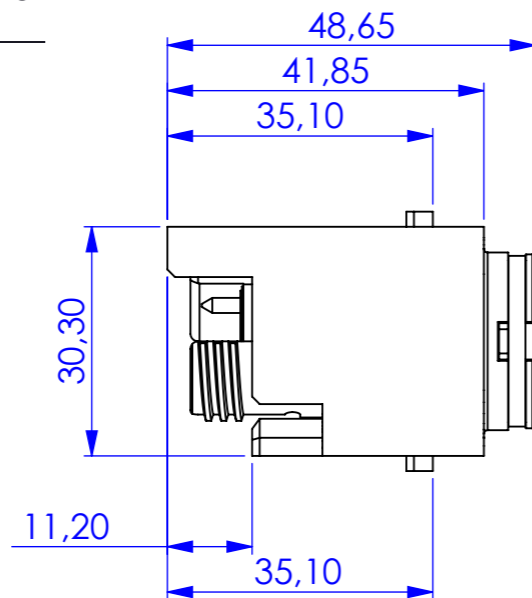
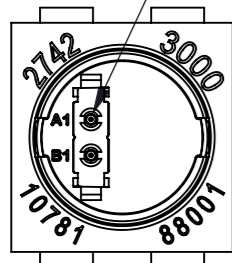
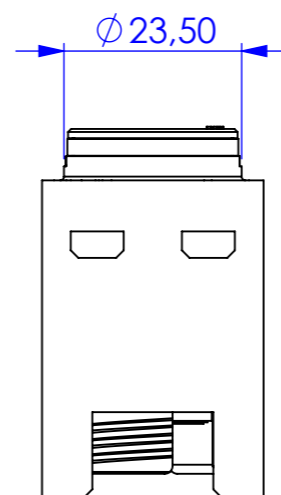
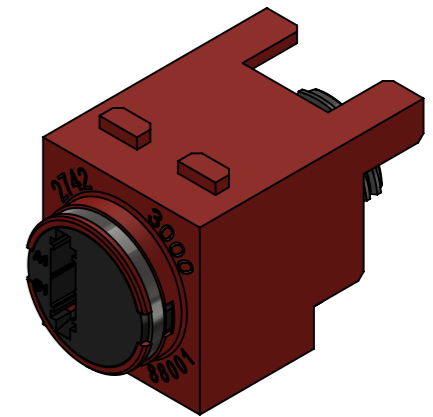
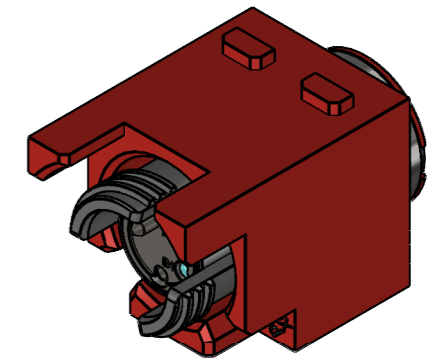
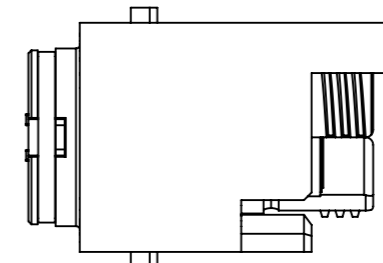


for 2x LC-Connector
MM 50/125

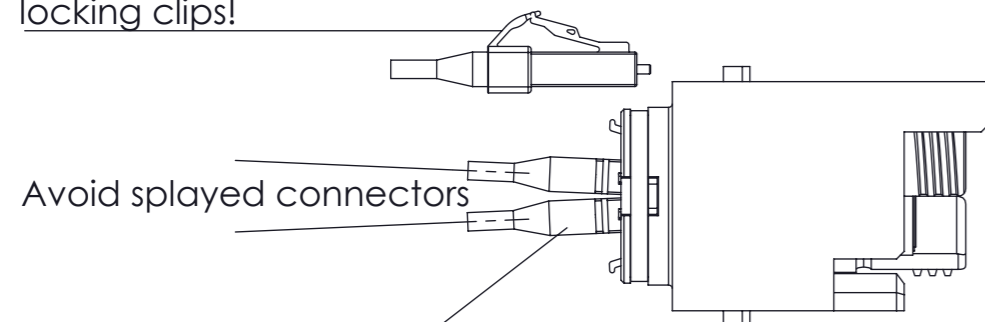


Expanded beam lens module



USE PROPERLY ALIGNED LC CONNECTORS ONLY

Before coupling, remove locking clips!



Avoid splayed connectors by using LCs without anti-slag collars and a boot diameter <5mm! (e.g. original FIBERFOX patch-cable)

- Plug-in compatible with FIBERFOX cable plugs

Sheet Number 1/1	Projection 	Scale 1:1	Format A3	Tolerancing ISO 2768-	
g	cm ²	cm ³	Created	HeBo	28.05.2020
Material			Modified		
Material addition			Approved	DiRo	28.05.2020
Description FBM-1502MM50 Linsenmodul 2ch MM 2xLC [F] 50/125µm OM4			ECN Number		
			Status	FOR FINAL	
		3D Model ID 27423000	Document ID 27423000	Revision	01