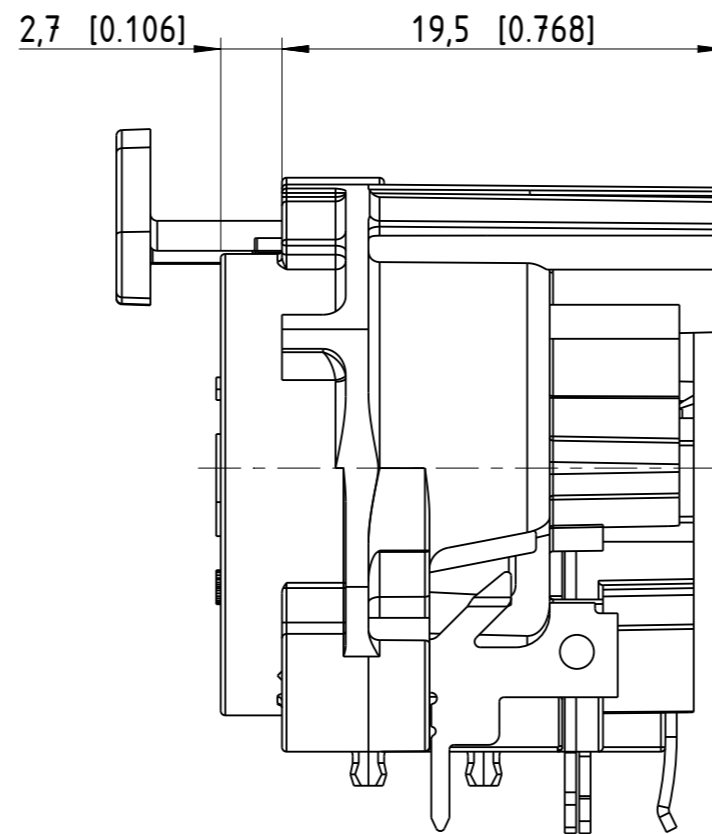
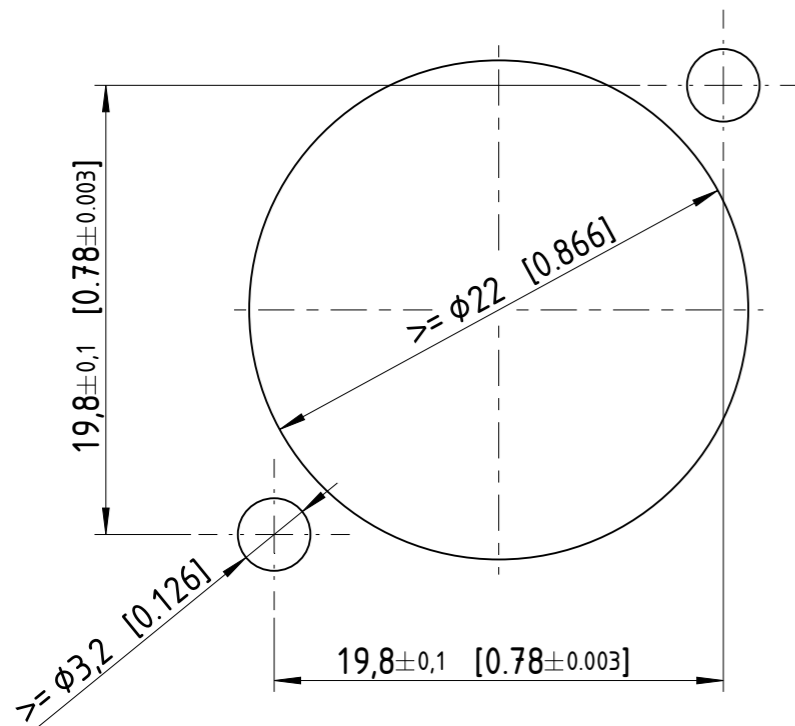
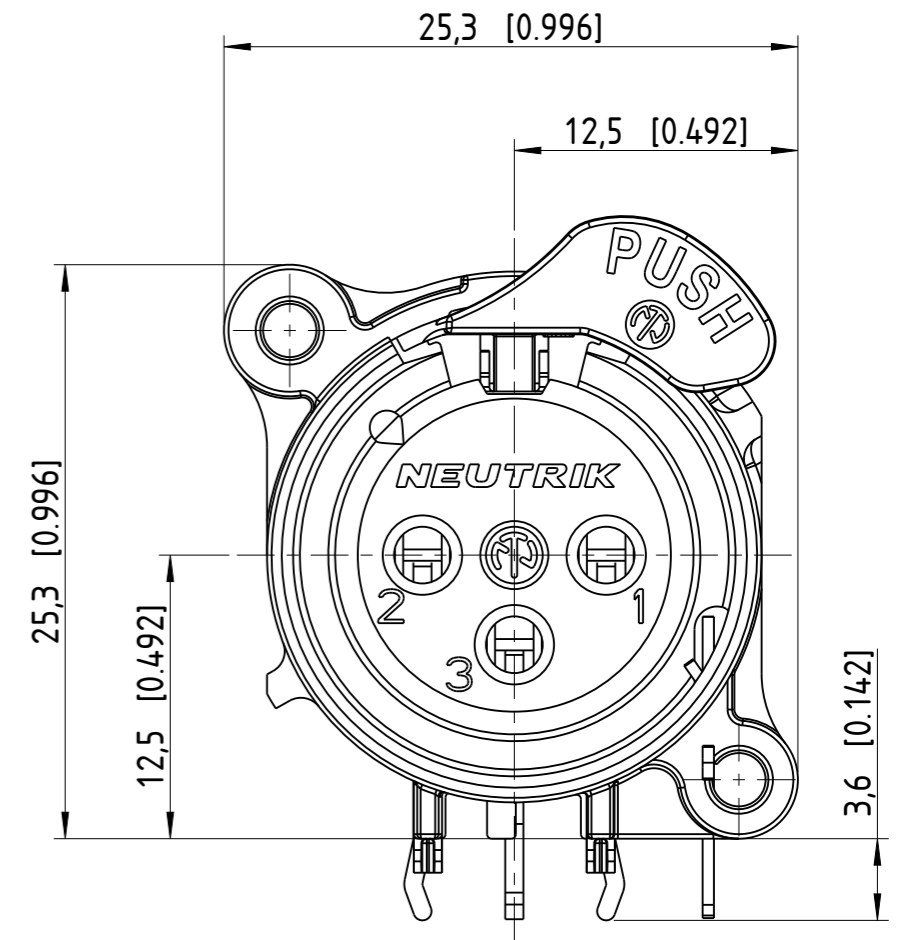
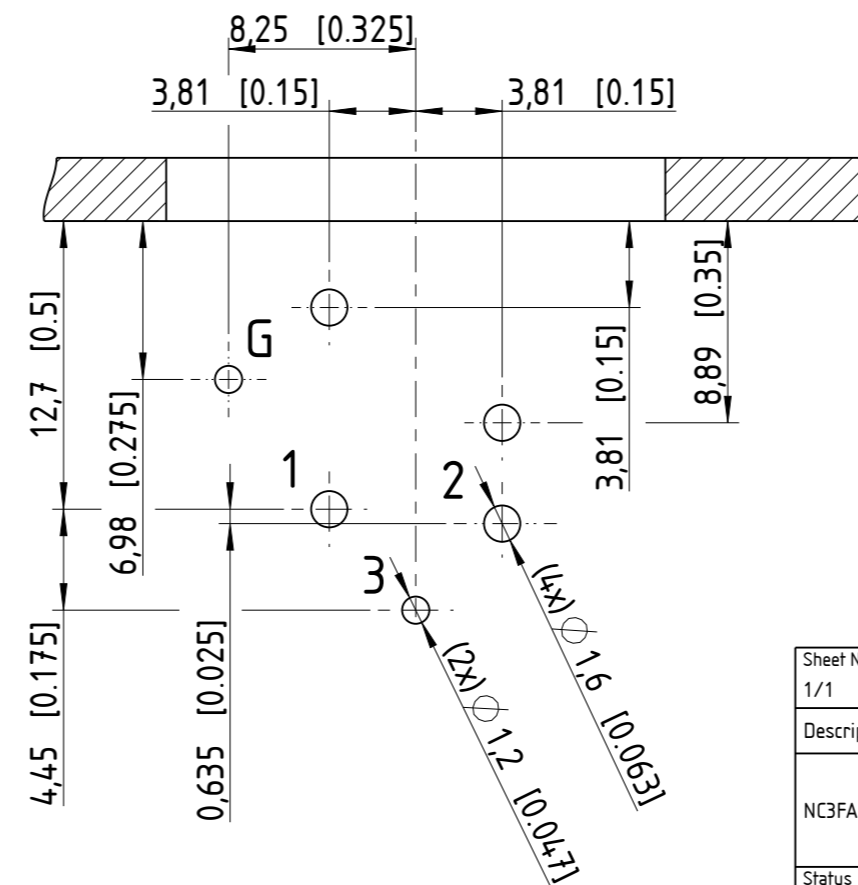


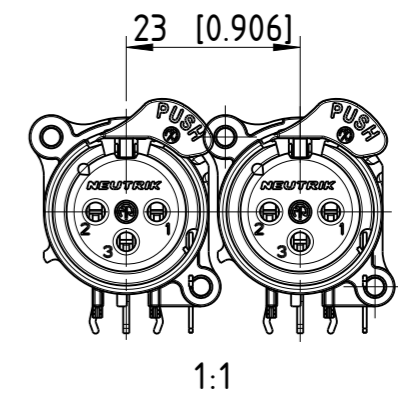
Frontplattenausschnitt (Rückseite)
Panel cut out (rear side)



Print-Bohrplan (Bestückungsseite)
PCB-Layout (component side)



min. Einbauabstand
min assembling distance



Sheet Number	Projection	Scale	Format	General Tolerancing	
1/1		3:1	A3	ISO 2768 mK	
Description			Created on/by	03.07.2023	Schmiel T.
NC3FAH2-AE			Approved on/by	05.07.2023	Schuster R.
			Article ID	Model ID	Drawing ID
			NC3FAH2-AE	30010749	20004428
Status			Revision	ECN Number	
Released			-	-	

Neutrik Group