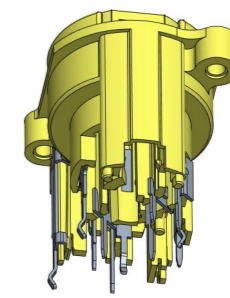
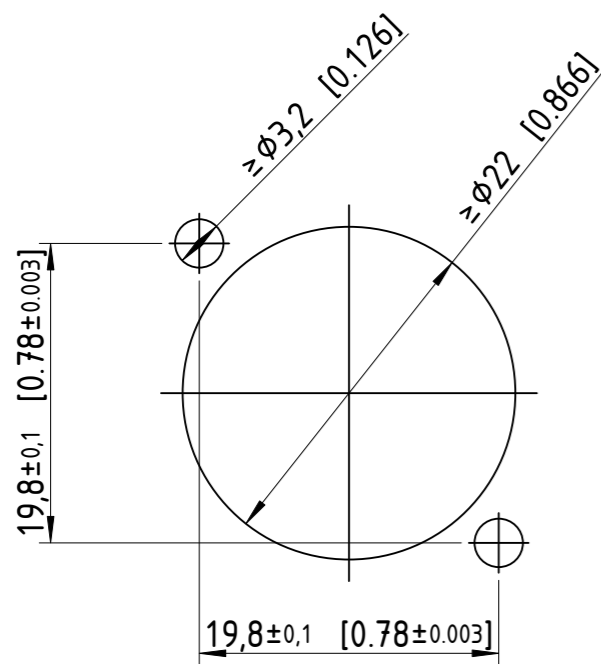


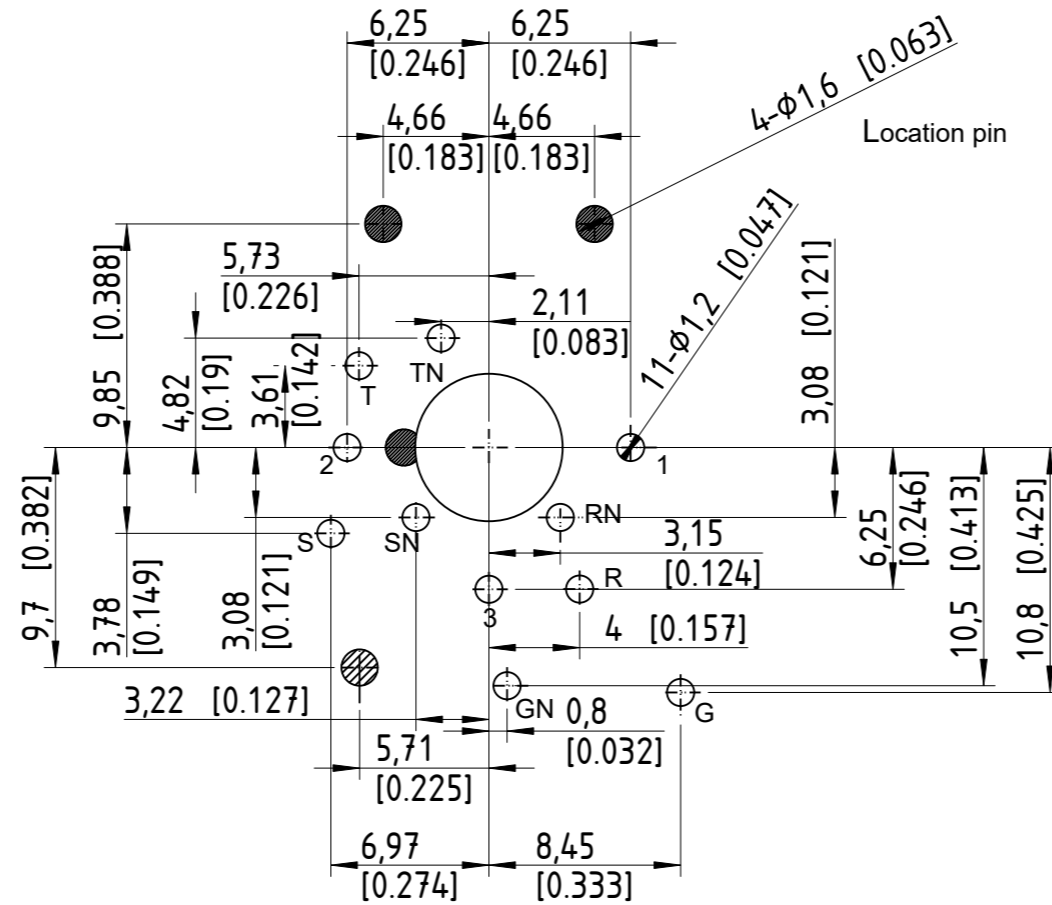
1:1



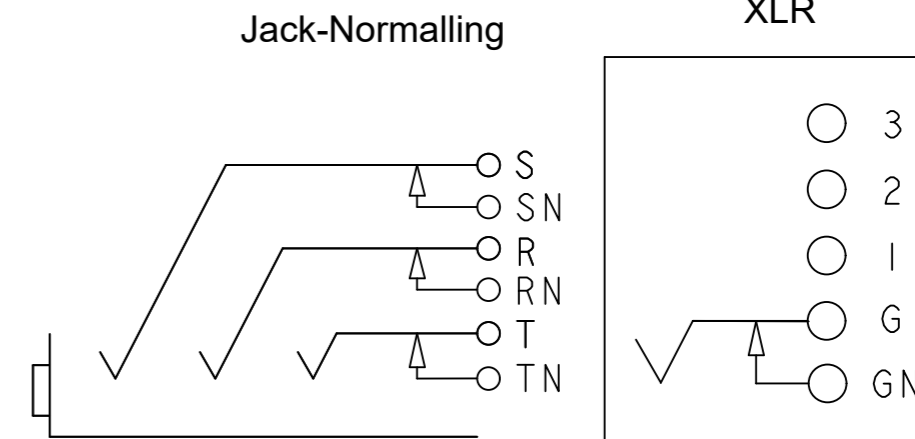
1:1



Panel cut out(Rear side)



PCB Layout(Component side)  
tolerance ±0.05 [0.002]



Normalling-Schemes

|                     |                |              |                |                                    |                      |
|---------------------|----------------|--------------|----------------|------------------------------------|----------------------|
| Sheet Number<br>1/1 | Projection<br> | Scale<br>2:1 | Format<br>A3   | General Tolerancing<br>ISO 2768 mK |                      |
| Description         |                |              | Created on/by  | 06.08.2024                         | Zhang j.             |
| NCJ10FE-V-0         |                |              | Approved on/by | 12.08.2024                         | Xia S.               |
|                     |                |              | Article ID     | Model ID                           | Drawing ID           |
|                     |                |              |                | 30011693                           | 20006022             |
| Status              | Revision       |              | ECN Number     |                                    | <b>Neutrik Group</b> |
| Released            |                |              |                |                                    |                      |