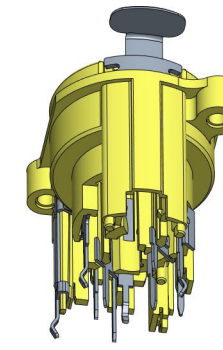
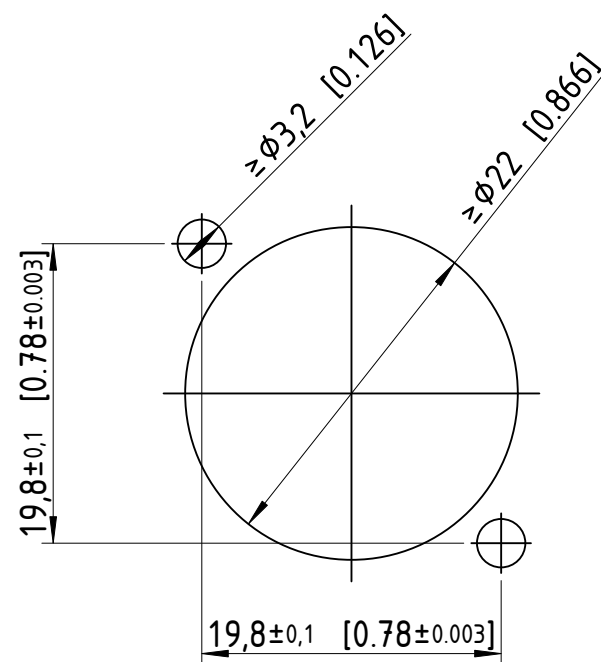


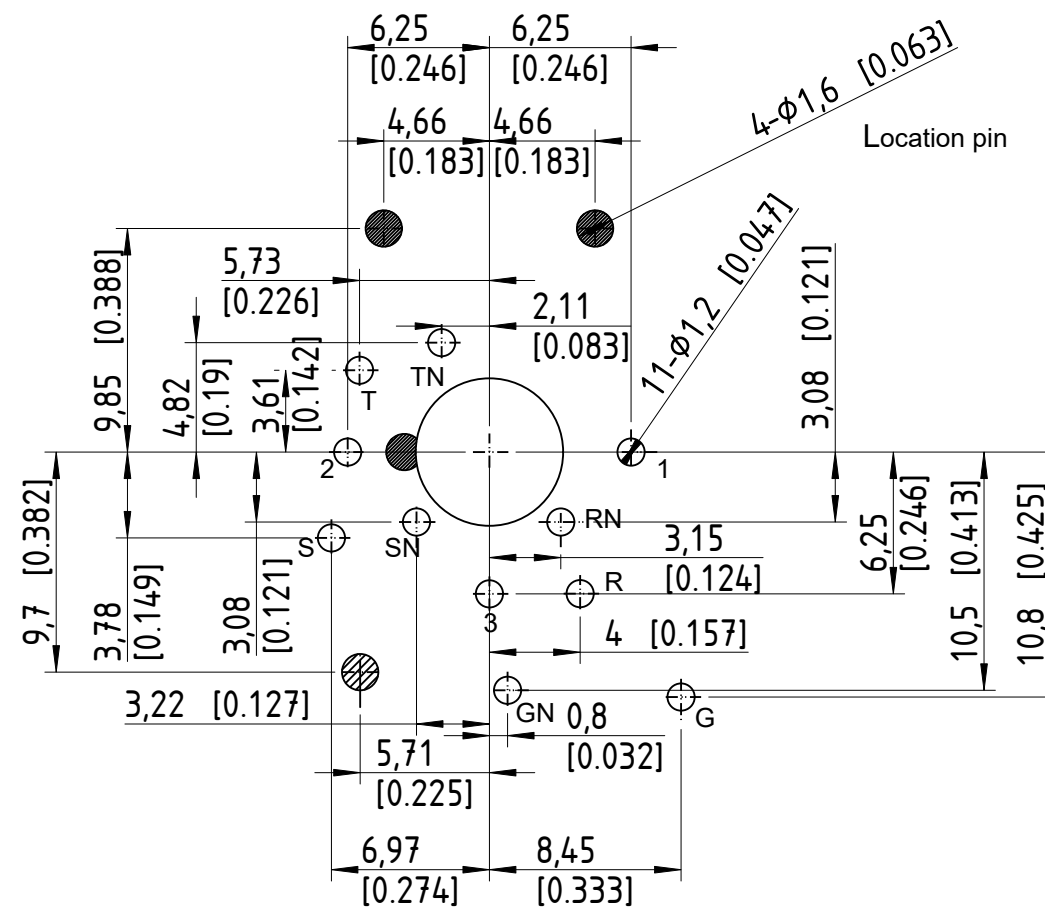
1:1



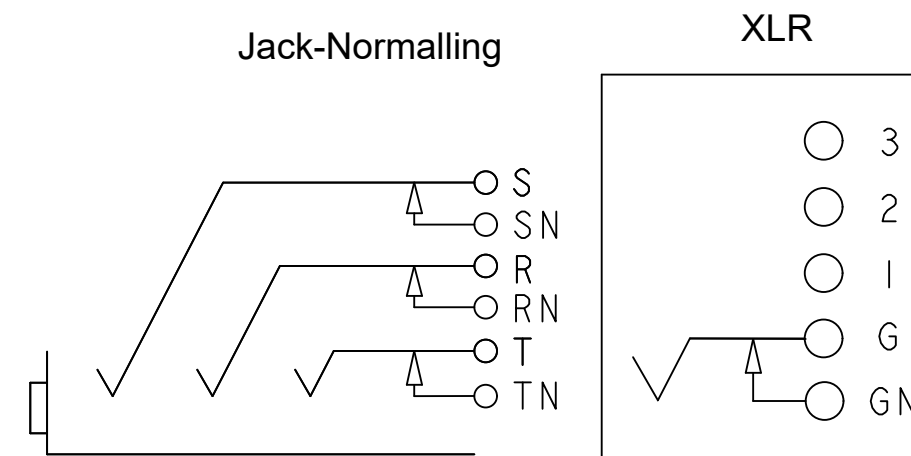
1:1



Panel cut out(Rear side)



PCB Layout(Component side)
tolerance ±0.05 [0.002]



Normalizing-Schemes

Sheet Number 1/1	Projection 	Scale 2:1	Format A3	General Tolerancing ISO 2768 mK	
Description			Created on/by	06.08.2024	Zhang j.
NCJ10FE-V			Approved on/by	12.08.2024	Xia S.
			Article ID	Model ID	Drawing ID
				30011692	20006021
Status Released	Revision		ECN Number		Neutrik Group