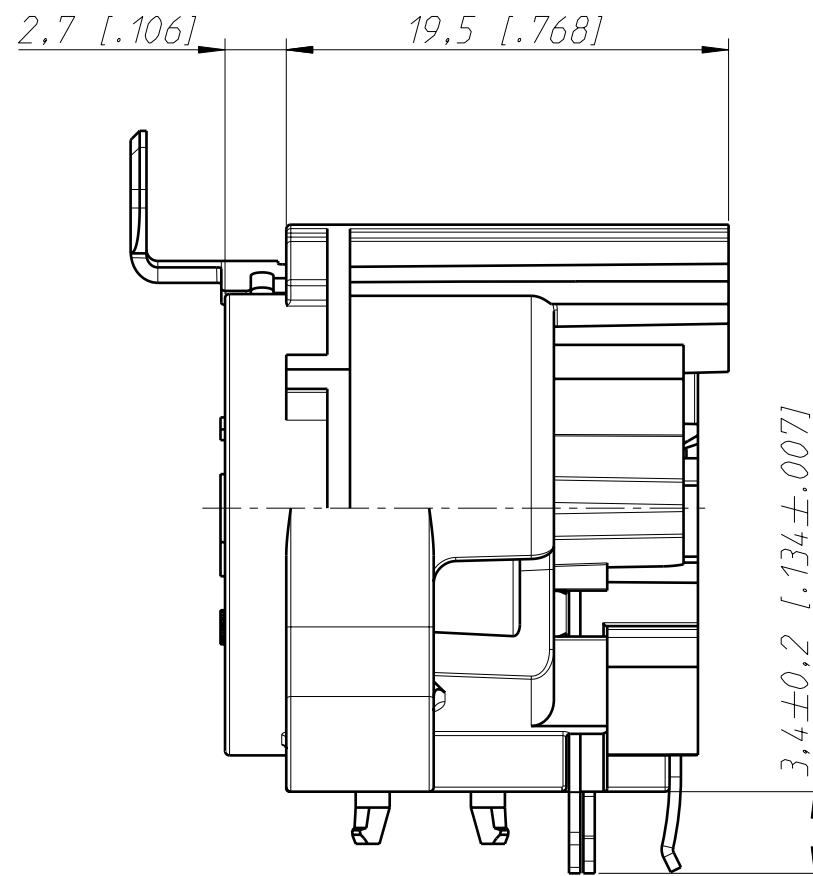
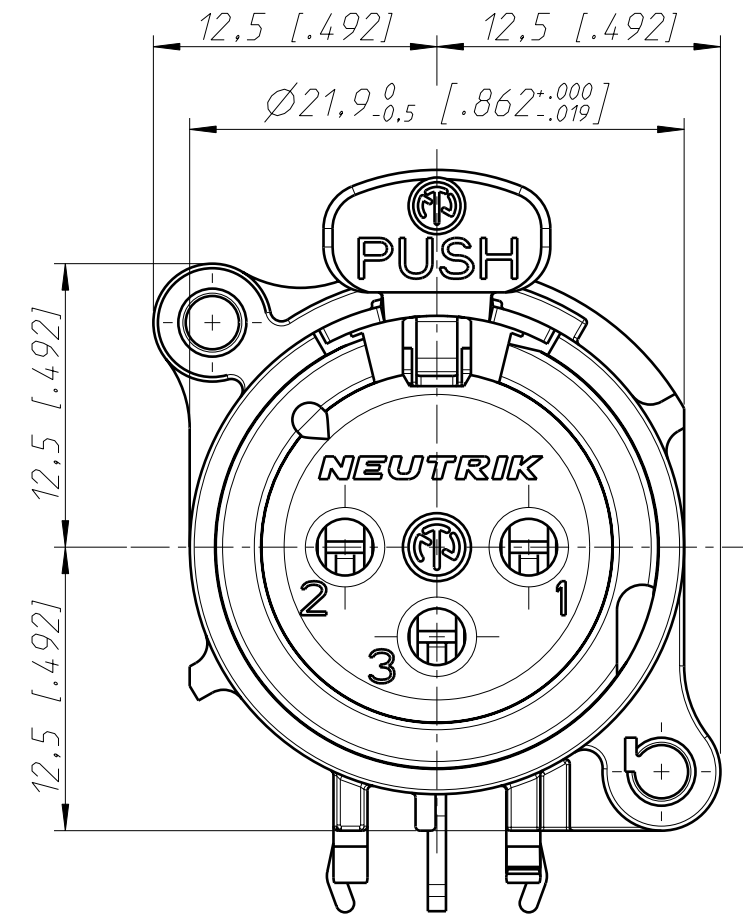


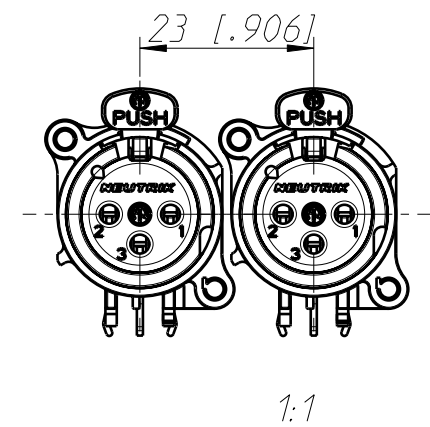
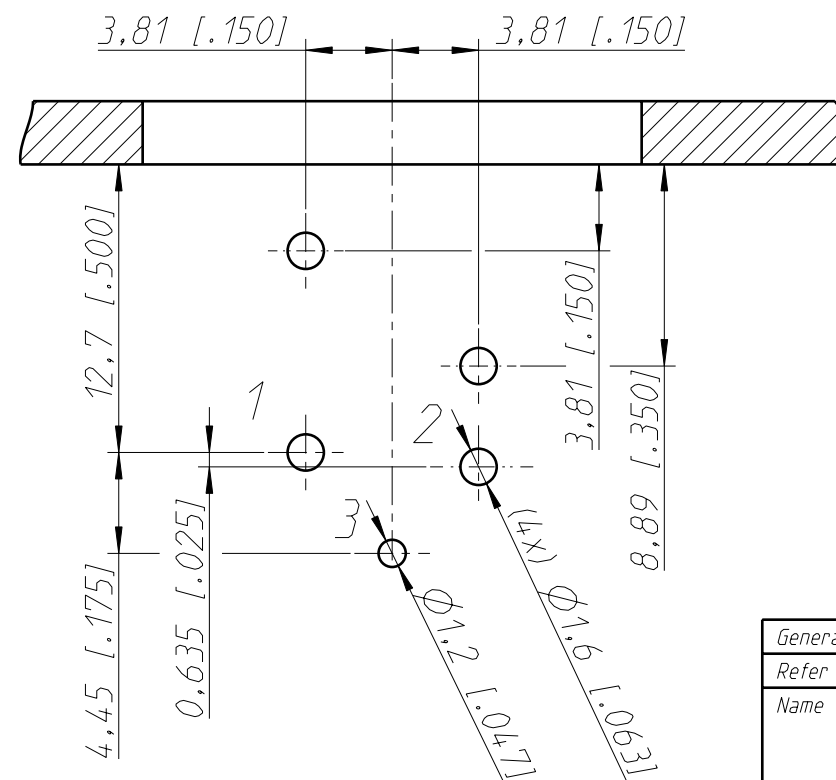
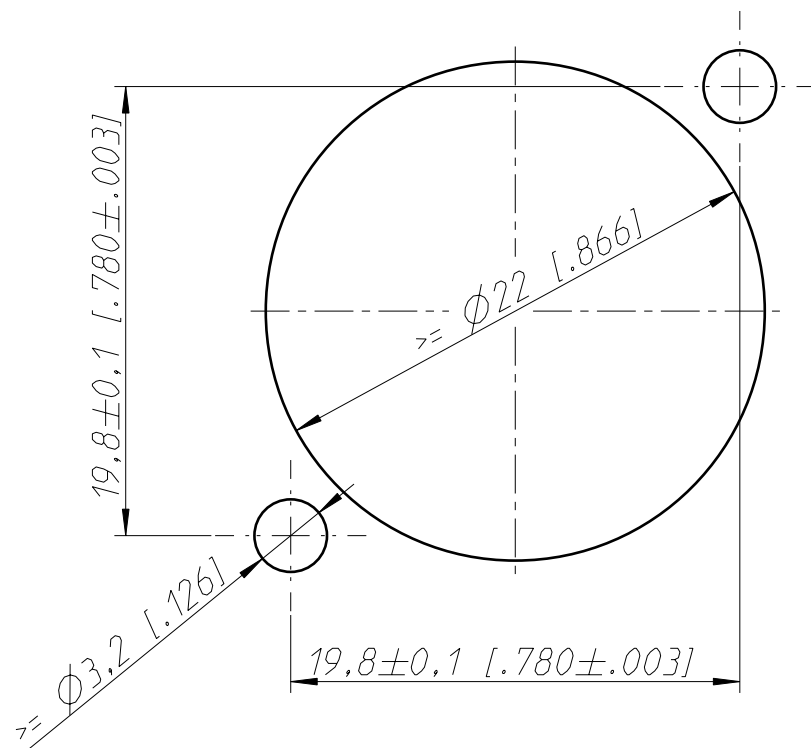
Frontplattenausschnitt (Rückseite)
Panel cut out (rear side)



Print-Bohrplan (Bestückungsseite)
PCB-Layout (component side)



min. Einbauabstand
min assembling distance



General tolerances ISO 2768-m	Scale	Date	Name
Refer to protection notice ISO 16016.	3:1 (A3)	27.11.02	Dobler
Name	NC3FAAH	Modified	Karlinger
	NC3FAAH	Change-No.	Index
		2018-0140	1 / 1
		Replacement for:	
		Drawing-No.	ST-NC3FAAH

NEUTRIK