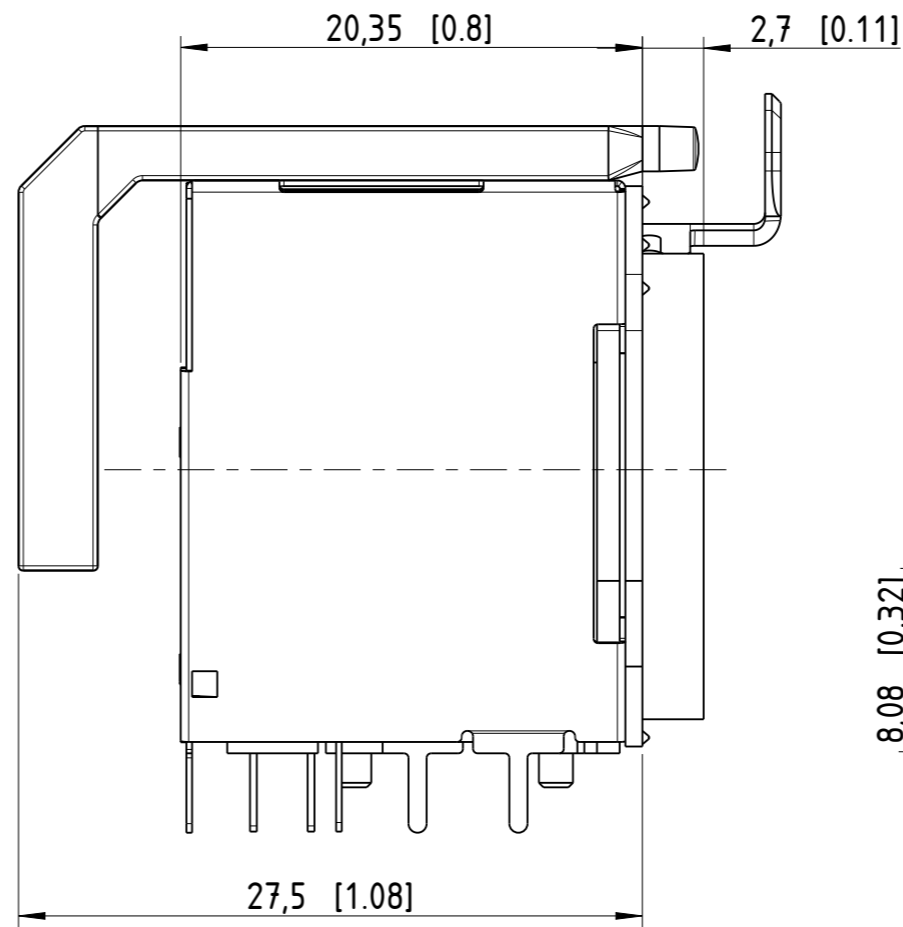
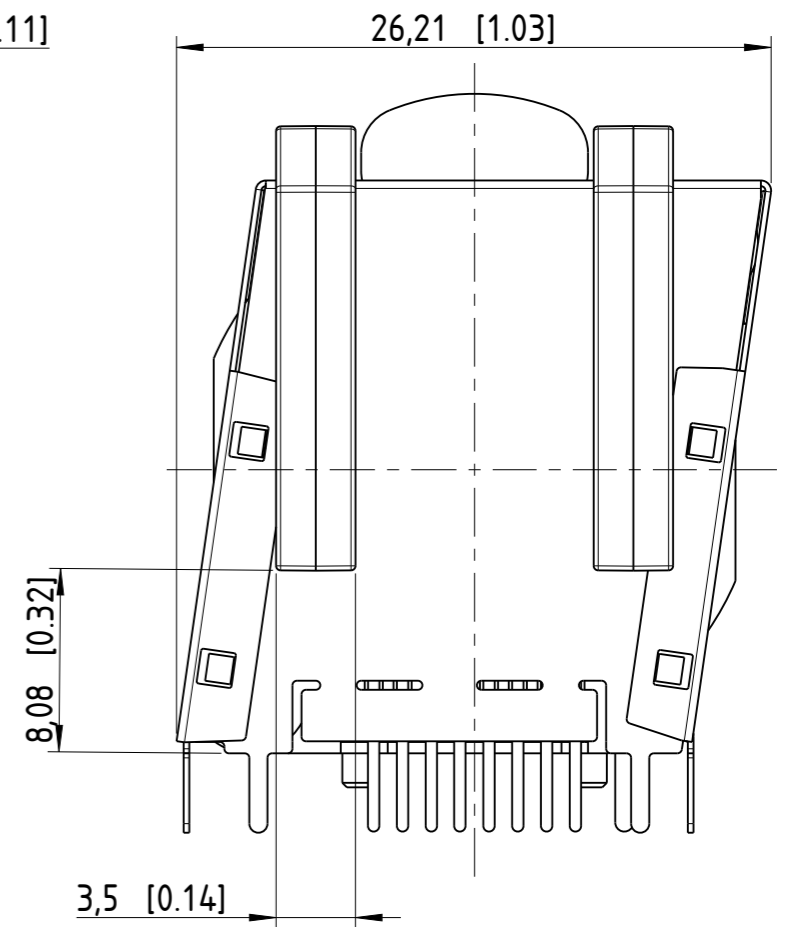


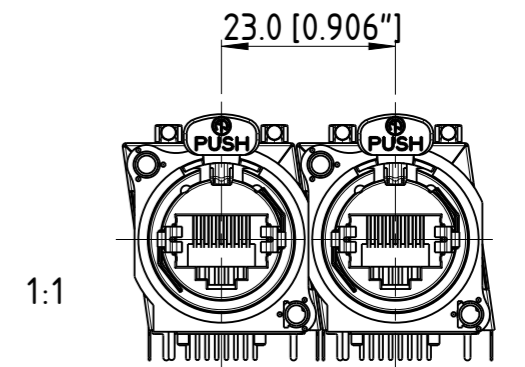
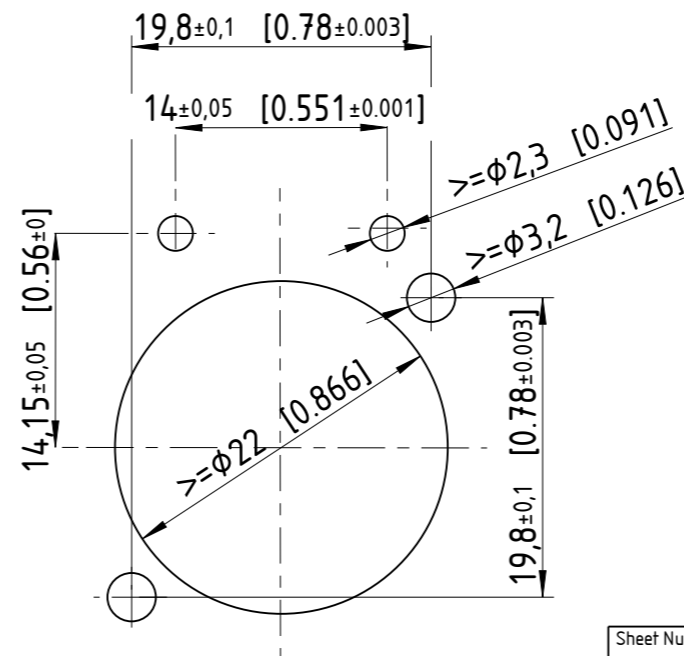
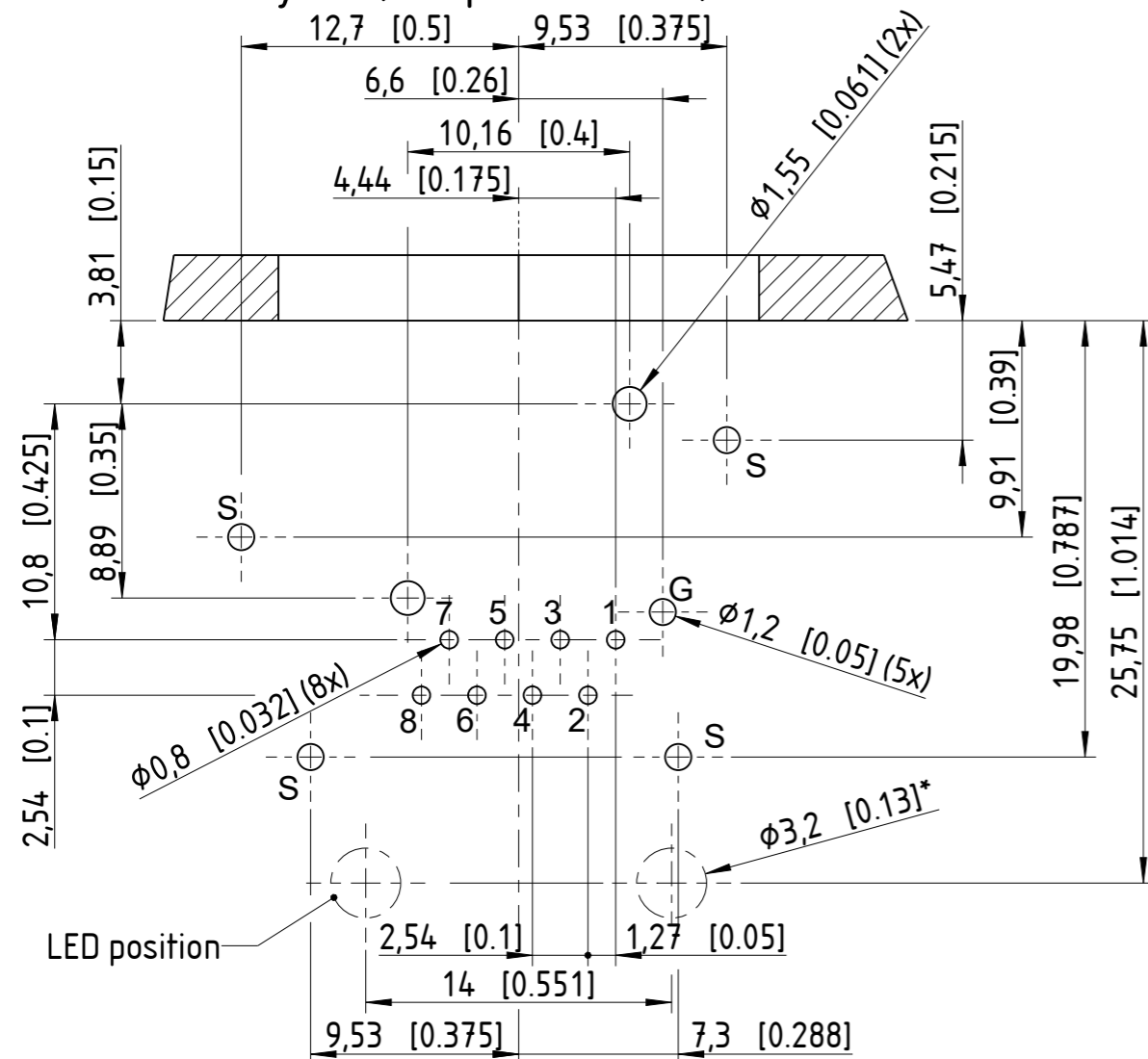
Print Bohrplan Bestückungsseite
PCB-Layout (component side)



Frontplattenausschnitt (Rückseite)
Panel cut out (rear side)



min. Einbauabstand
min. assembling distance



* max. diameter of LED in lightpipe
max. LED-Durchmesser im Lichtrohr

Sheet Number 1/2	Projection 	Scale 3:1	Format A3	General Tolerancing ISO 2768 mK	
Description			Created on/by	10.01.2005	Dobler O.
NE8FBH-LED			Approved on/by	14.06.2024	Schmiedl T.
			Article ID	Model ID	Drawing ID
Status			NE8FBH-LED	NE8FBH-LED	20000853
Released			Revision	ECN Number	
			B	-	Neutrik Group

