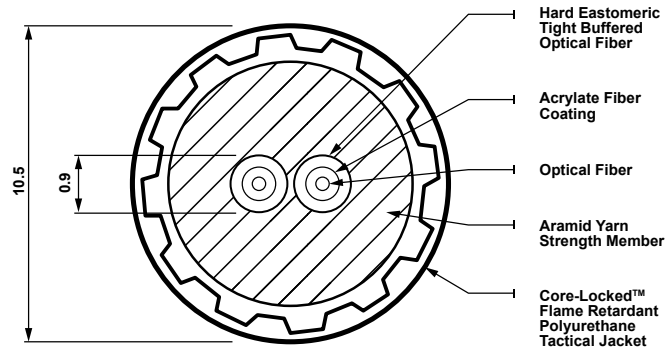




Cable Datasheet

opticalCON[®] DUO ARMORED



Technical Data Cables

Number of Fibers	2	2		
Fiber Type	Multimode	Single-mode		
Fiber standard	OM3	G.657A1		
Core Diameter	50 µm	9 µm		
Cladding Diameter	125 µm	125 µm		
Primary Coating Diameter	245 µm	245 µm		
Secondary Buffer Diameter	900 µm	900 µm		
Numerical Aperture	0.20	-		
Proof Test Level	100 kpsi	100 kpsi		
Wavelength	850 nm	1310 nm	1310 nm	1550 nm
Gigabit Ethernet Distance	1000m	600 m	-	-
Attenuation	3.5 dB/km	1.5 dB/km	0.5 dB/km	0.5 dB/km
Bandwidth	2000 MHz-km	500 MHz-km	-	-
Nominal Dispersion Slope	-	-	0.092 ps/(nm ² -km)	-
Refraction index	1.483	1.479	1.458	1.458
Cable Surface	V – jacket (Grey matt)	V – jacket (Grey matt)		
Jacket material	Polyurethane	Polyurethane		
Cable Weight	221 kg/km	223 kg/km		
Cable Diameter	10.5 mm	10.5 mm		
Installation (static):				
Max. Tensile Load	1000 N, short term	1000 N, short term		
Min. Bend Radius	80 mm	80 mm		
Operation (dynamic):				
Max. Tensile Load	-	-		
Min. Bend Radius	50 mm	50 mm		
Impact Resistance	-	-		
Crush Resistance	1250 N/cm, short-term	1250 N/cm, short-term		
Number of Conductors	-	-		
Nominal Core OD	-	-		
Conductor resistance	-	-		
Operation Temperature	-40°C to +71°C	-40°C to +71°C		
Storage Temperature	-55°C to +85°C	-55°C to +85°C		
Bend optimized	Yes	Yes		
Laser optimized	Yes	No		

Data subject to change without prior notice. © 2020 NEUTRIK[®]. NEUTRIK[®] are registered trademarks of Neutrik AG. ALL RIGHTS RESERVED.